

LRX SINGLES

18K - 12K - 6K

PAR

HMI & Tungsten

GELLING PROCEDURES

READ THIS

Hard Filters

LRX Extreme Temperature Dichroic Correction Filters are currently available in $\frac{1}{4}$, $\frac{1}{2}$, $\frac{3}{4}$ and full CTO. These filters never shift or burn out.

Gel Filters

Clean Only

Slot # 1. Nothing
Slot # 2. Nothing
Slot # 3. Rosco Heat Shield

Color Only

Slot # 1. Rosco Heat Shield
Slot # 2. Color
Slot # 3. Rosco Heat Shield

Color and color

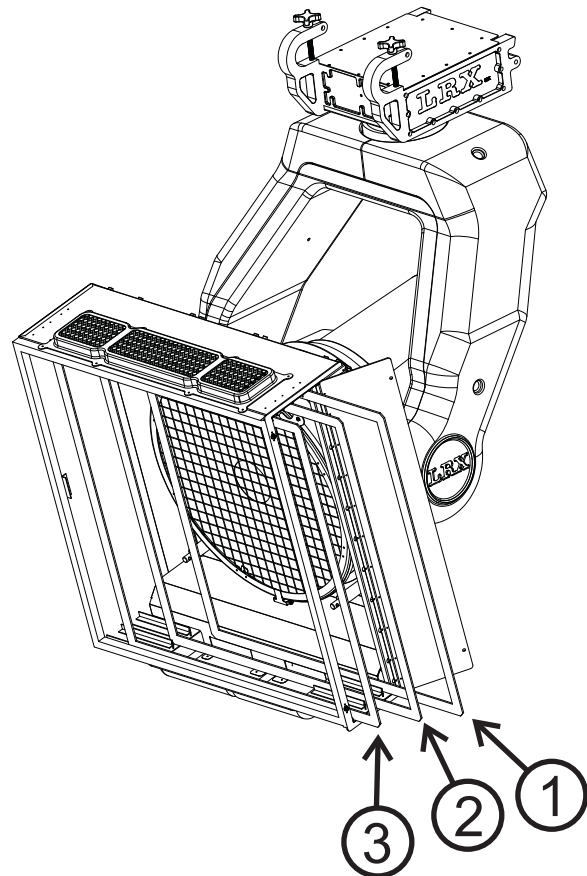
Slot # 1. Rosco Heat Shield
Slot # 2. Color
Slot # 3. Color

Color and Diffusion

Slot # 1. Rosco Heat Shield
Slot # 2. Diffusion
Slot # 3. Color

Diffusion Only

Slot # 1. Rosco Heat Shield
Slot # 2. Diffusion
Slot # 3. Rosco Heat Shield



Always use heat shield, it provides the lens with protection from rain and insects

Place gels so that the material is spaced the maximum distance apart per slot.

When going for a large color correction such as full cto consider using $\frac{1}{2}$ cto and $\frac{1}{2}$ cto to make the full correction. Two layers of lighter material absorbs far less heat per layer than a single layer of equal correction. This reduction of heat per layer will increase its life exponentially.

It has been our experience that Rosco products provide far better results than other products