

Lrx

MOTION PICTURE LIGHTING

Read and understand Lrx Trolley Manual before proceeding with daily checklist and/or operation of Lrx Trolley. Latest manual available online at www.lrx-lighting.com.

Lrx Trolley Daily Checklist

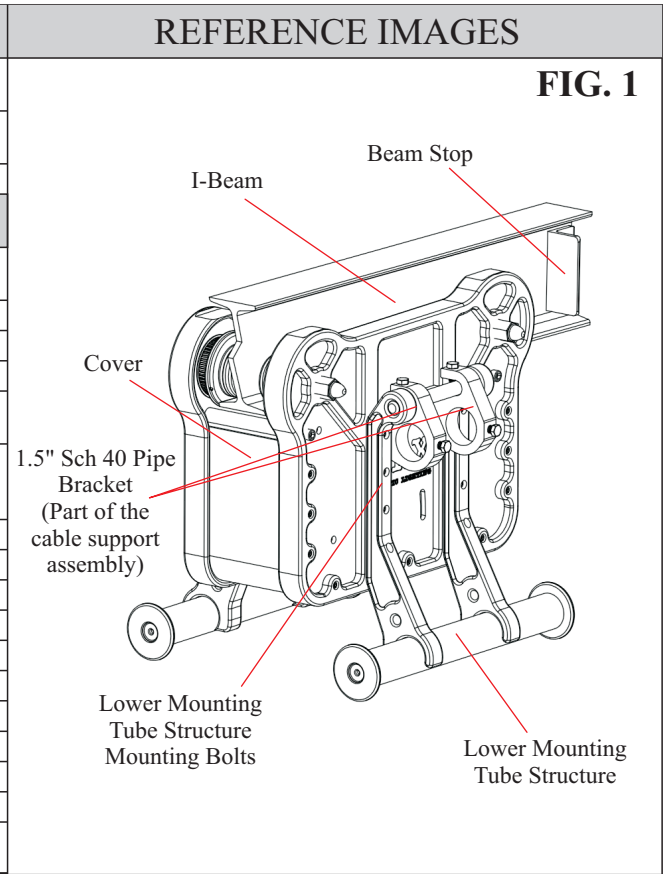
CUSTOMER: _____

DATE: _____

LOCATION: _____

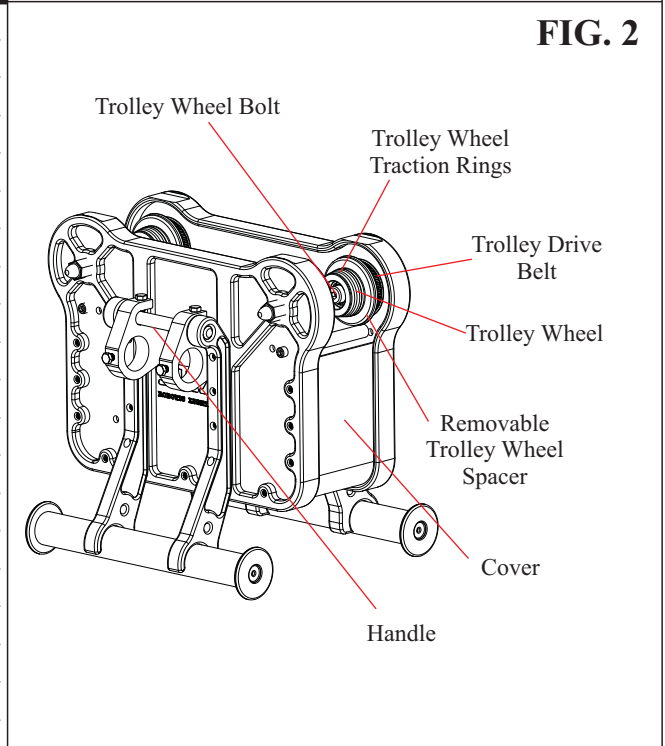
FIXTURE SERIAL #: _____

#	Trolley Support Structure	GOOD / FAIL
1.	I-beam and supporting structure to be inspected by qualified personnel to ensure it is in serviceable condition and capable of supporting total calculated load.	
2.	Ensure I beam end stops are installed and capable of arresting the trolley(s), plus a thousand (1,000) pound load in motion.	
3.	Ensure I-beam is level.	
#	Trolley Inspection	GOOD / FAIL
4.	Inspect trolley support wheels & structure for damage, cracks or loose bolts mounting bolts.	
5.	Ensure rubber trolley wheel traction rings are in place and in good serviceable condition.	
6.	Ensure trolley wheel spacers are installed as required to fit beam.	
7.	Inspect both lower mounting tube structures for damage and cracks.	
8.	Ensure lower mounting tube structure is properly secured to the trolley body and has no missing or loose bolts.	
9.	Ensure pipe brackets are undamaged and secured to the trolley. When pipe is used to support cables, load not to exceed twenty pounds at three feet from center. Cable weight is to be supported by an idler roller.	
10.	All covers are installed & in good condition.	
11.	Inspect power cable input connector & contacts.	
12.	Ensure the motor control cable is correctly connected to unit.	
13.	Ensure that no components have been modified.	
14.	Inspect overall condition of unit.	
15.	Ensure all labels and markings are clear and legible.	
16.	Ensure proper electrical power is supplied.	
17.	Ensure all power & data cables have a secure strain relief as required.	
18.	Ensure safety cables are securely attached and able to support load.	
19.	Test for proper function and ensure travel route is clear of obstructions.	
20.	Qualified technician and production is to ensure that a reasonable safety zone clear of people is provided within its range of travel.	



Notes: _____

USE BACK OF SHEET IF MORE NOTES ARE REQUIRED



Questions? Contact Lrx LLC service representative at www.lrx-lighting.com and go to contact page.

INSPECTED BY: _____ **SIGNATURE:** _____

IF THE TROLLEY FAILS ANY PART OF THIS INSPECTION, REMOVE POWER, LOCK OUT AND REPORT TO YOUR SUPERVISOR IMMEDIATELY. DO NOT ATTEMPT TO MAKE REPAIRS. ALL REPAIRS TO Lrx LIGHTING TROLLEY, FIXTURES OR ACCESSORIES ARE TO BE PERFORMED BY Lrx LLC. ONLY.